

Stern door with Boat cradle

Stern door

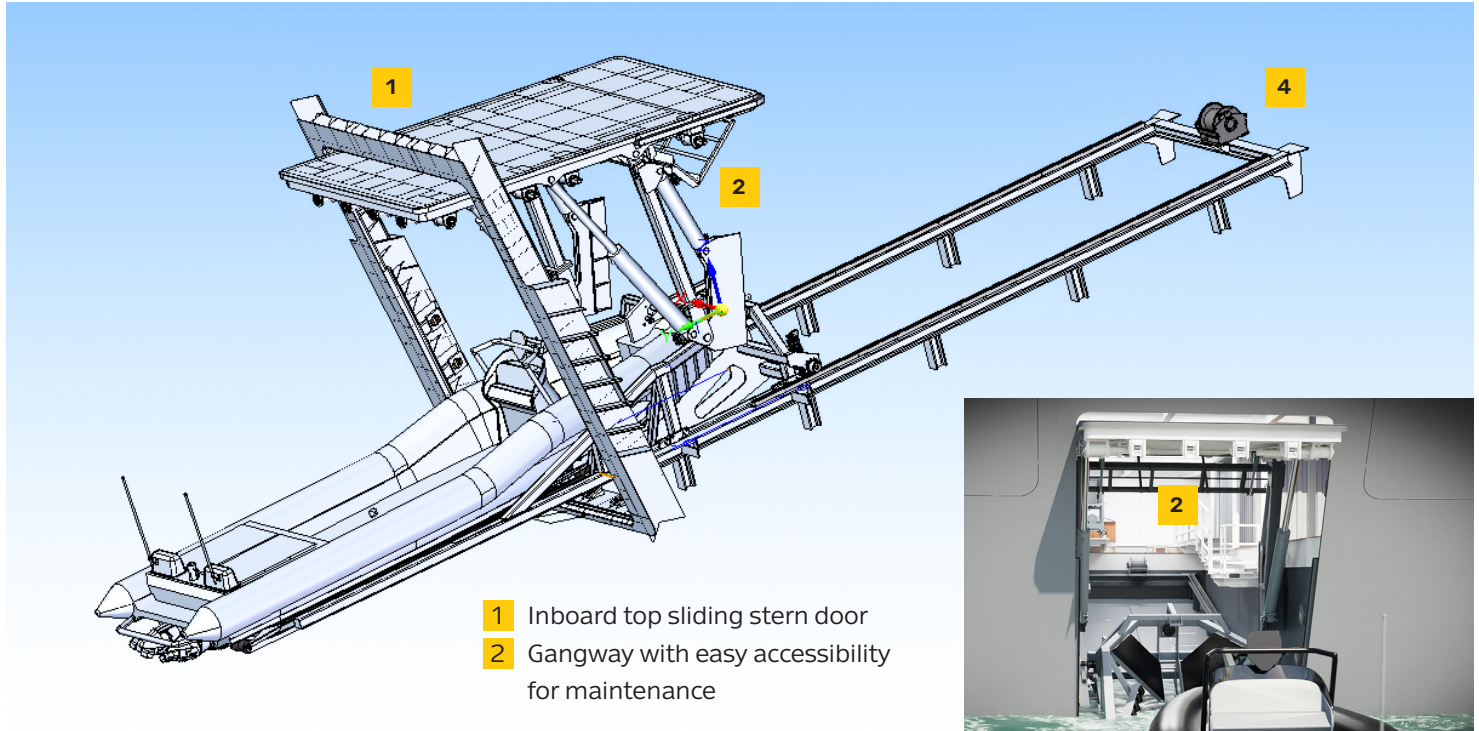
SH Defence hydraulic mission bay doors are customized to fit any requirements.

The door and all mechanical parts are made of seawater resistant material. The door itself is made in either steel, aluminium, bulletproof- or lightweight composite (lightweight armour plating based on sophisticated fibre composites), protecting personnel and equipment.

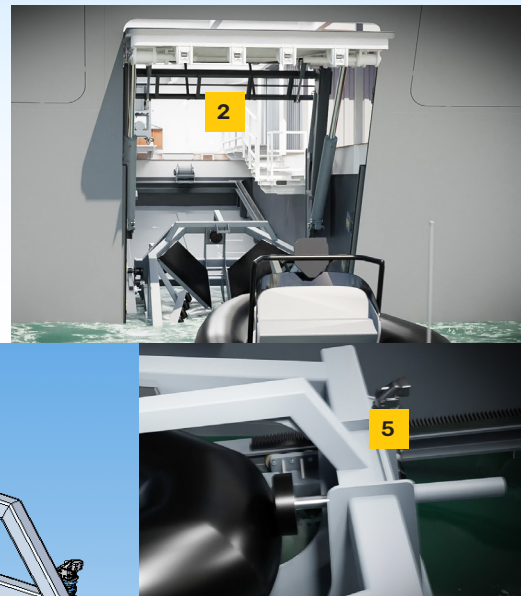
Boat cradle

Flexible boat cradle system to accommodate RHIBs and special operation boats. The flexible cradle and launch and recovery system can handle a wide range of boats with different hull forms. Slipway also tailor-made for drones and USV.

The system is perfect for frigates, corvettes and OPV's with various missions and allows for one or two boats to be stowed behind each other. The LARS system is reliable, safe and fast to operate up to Sea state 6.

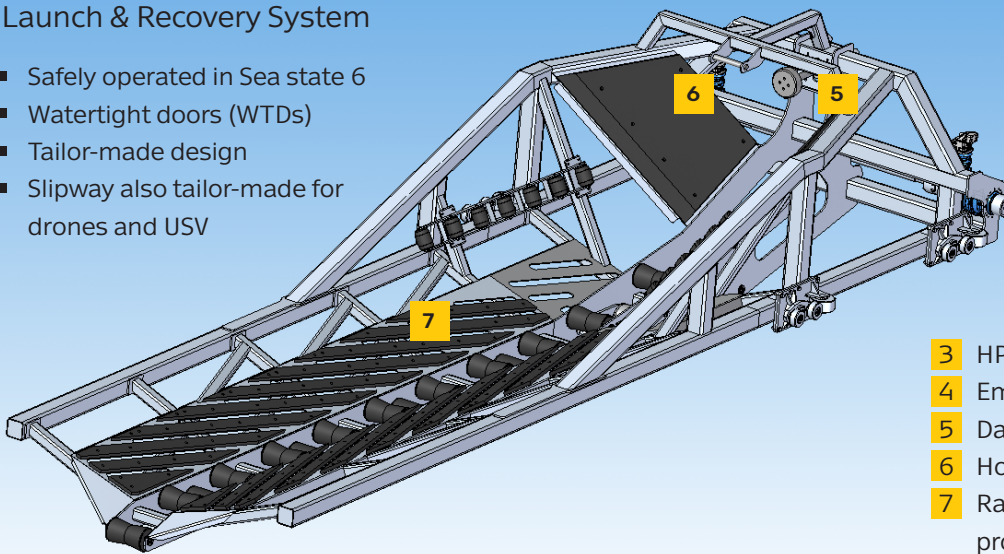


- 1 Inboard top sliding stern door
- 2 Gangway with easy accessibility for maintenance



Stern Boat Launch & Recovery System

- Safely operated in Sea state 6
- Watertight doors (WTDs)
- Tailor-made design
- Slipway also tailor-made for drones and USV



- 3 HPU with vibration absorbers
- 4 Emergency winch
- 5 Damper
- 6 Hook lock
- 7 Rail driven cradle with soft grip protective rolls

Cradle (Example)	Boat (Example)	Winch (Example)	Stern doors (Example)
SWL: 7 Tons	Length: Up to 12 m (illustrated 7,25m)	SWL: 6.980 kg	Opening: 109°
Ramp out: 6,2 meter	Width: Up to 3,5m (illustrated 2,6 m)	Wire length: 21 m	Height: 6.530 mm
	Weight: Up to 12 tons fully loaded		Width (total): 3.900 mm



Link to movie on YouTube

[https://youtu.be/
CJkCiv_5E8I](https://youtu.be/CJkCiv_5E8I)

Stern door with Boat cradle

Slipway also tailor-made for drones and USV

- 1 Inboard top sliding stern door
- 2 Gangway with easy accessibility for maintenance
- 3 HPU with vibration absorbers
- 5 Damper
- 7 Rail driven cradle with soft grip protective rolls



DRONE

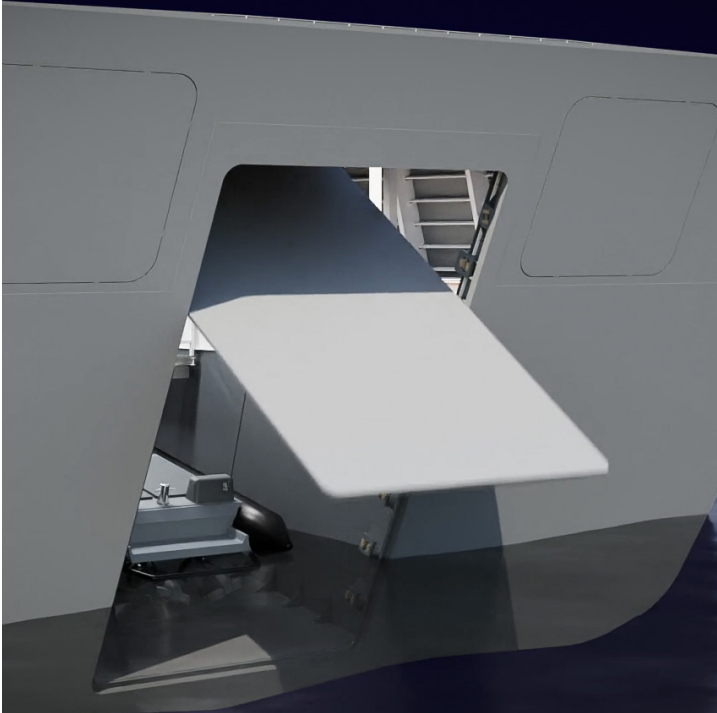


USV

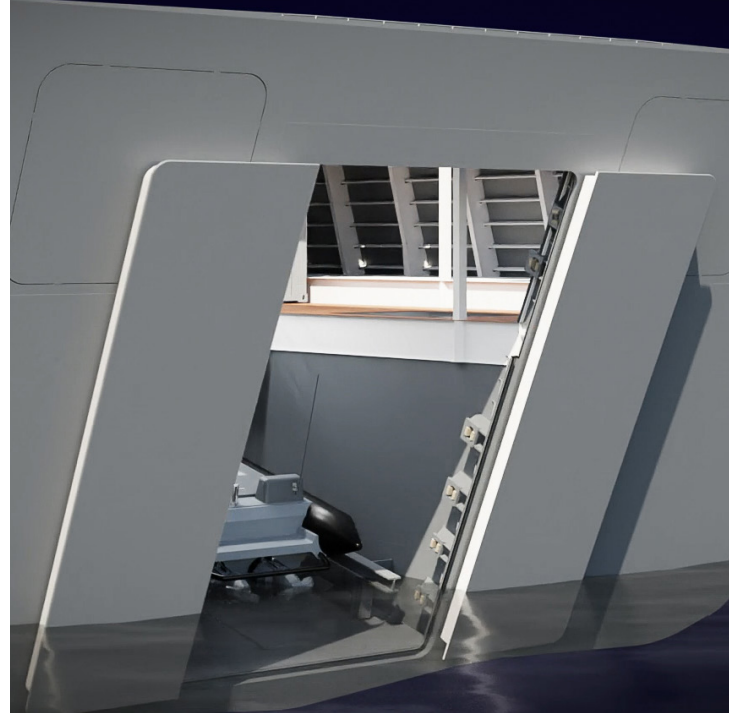


RHIB

Different door opening options



Top sliding
(Simplified drawing)



Side hinged
(Simplified drawing)



Link to movie on YouTube

[https://youtu.be/
CJkClv_5E8I](https://youtu.be/CJkClv_5E8I)



Bottom hinged
(Simplified drawing)



Top and bottom hinged
(Simplified drawing)